

# HERITAGE FABRICATIONS

## Janisol Arte 2.0

*Heritage*  
FABRICATIONS



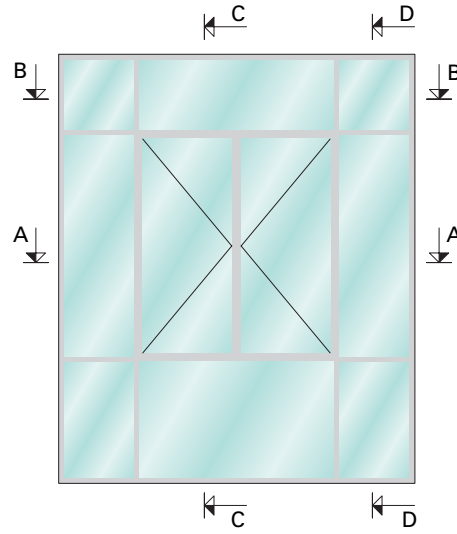
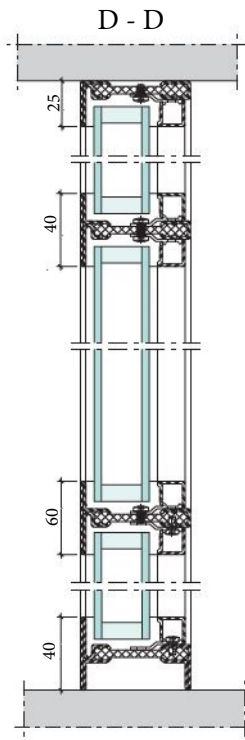
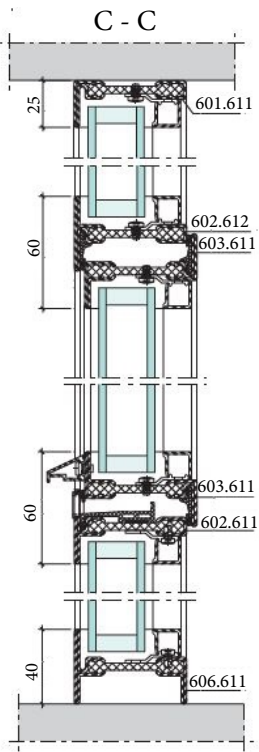
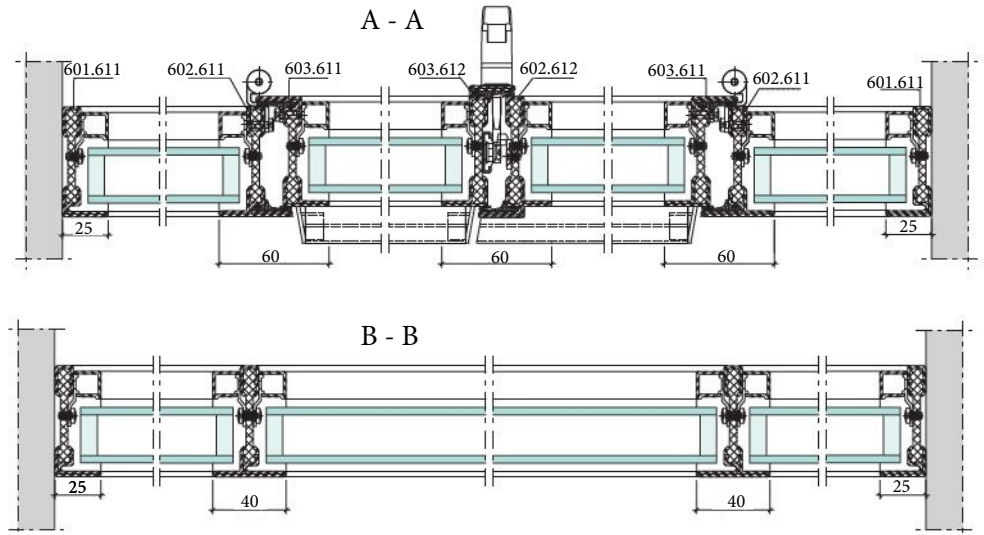
Second generation of Jansen thermally broken window units by Heritage Fabrications. Profiles in stainless steel and corten steel are now available along with a wide variety of profiles. Large selection of opening types is ideal for renovations of all windows as well as modern residential construction applications. Narrow profiles with widths of 25 or 40 mm for fixed glazing, and frame depths of 60 mm. This allows large and intricate constructions with excellent thermal insulation to be created.







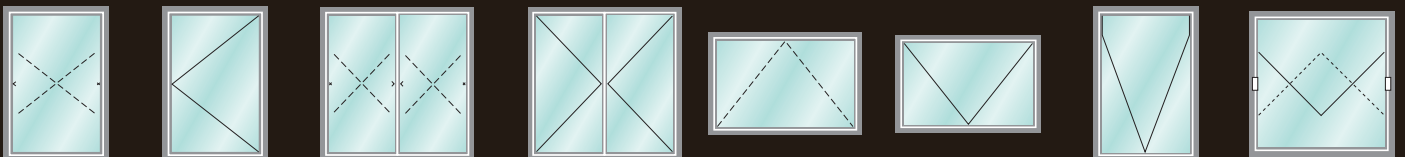
Example of Janisol Arte 2.0



To learn more about ARTE 2.0 product click here to visit the [Jansen website](#)

# FEATURES

- Inward and outward-opening fixed glazing/window vents
- Single and double-sash windows
- Inward-opening side-hung, bottom-hung and double-sash windows
- Outward-opening side-hung, top-hung, double-sash, horizontal pivot and vertical pivot windows, projected top-hung windows
- Sash sizes of 1000 × 2400 mm
- Sash weight of up to 150 kg
- Unit thicknesses from 20 to 47 mm
- Multi-point window locking
- Burglar resistance tested in accordance with EN 1627 up to RC2
- New materials for profiles: stainless steel and Corten





# Heritage

FABRICATIONS

Heritage Fabrications was established with the sole mission to provide fully customizable, and energy efficient windows. We are a dedicated team of professionals located on the Gold Coast of Connecticut. Visit us and explore Heritage's unique combination of European innovation, efficiency, engineering and cutting-edge design. All of our windows, doors and accessory products are built with uncompromising precision and are fully guaranteed to last. Employing state-of-the-art production techniques and materials, including bronze, steel and stainless steel, we offer an infinite amount of options, sizes, and glazing that are suitable for both modern, traditional, and historic applications.

Our customers range from homeowners, architects, designers, construction firms, developers and private institutions. We work with our clients individually to ensure the ultimate in quality, customer satisfaction and proper installation for all projects.

We invite you to discover Heritage Fabrications and see how we can add value and transform your project.

